

Thank you for purchasing this Autel diagnostic tool. This tool, manufactured to a high standard will if used according to the instructions and properly maintained give you years of trouble-free performance.



WARNING:

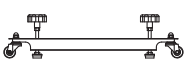
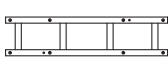
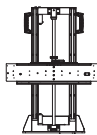

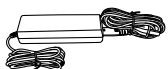






- Serious or fatal crushing injuries can occur from frame tip-over so it must be secured to the ground during the assembly.
- Improper assembly of the calibration frame may cause permanent damage and may render it inoperable and/or unsafe.



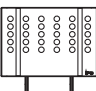

TO ACTIVE YOUR MAXISYS ADAS CALIBRATION:

1. Confirm registered MaxiSys has active updates.
2. Select "Settings" on the MaxiSys APP homepage.
3. Click on "ADAS Binding".
4. Scan the QR code on the ADAS frame to bind, or manually input frame serial number when QR code is not available.
5. Enter the validation code from the ADAS Calibration Application Card.
6. Download the ADAS Calibration Application Software.

Parts List

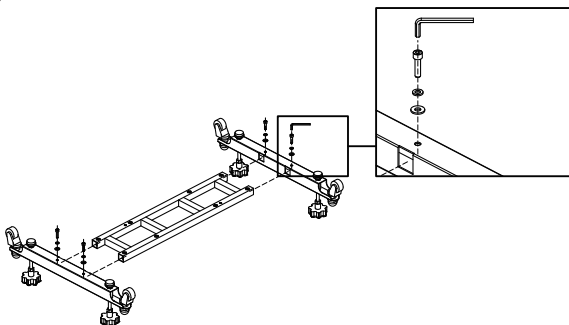
Base Holder 060001 	2pcs	Base Crossbar 060002 	1pc	Lifter 060003 	1pc	Round Handle 060007 	1pc
24V Power Adapter 060009 	1pc	Bolt (M8x20) 060015 	8pcs	Bolt (M5x30) 060016 	12pcs	Lock Washer 060018 	8pcs
Flat Washer (M8) 060017 	8pcs	Hex L-wrench (6mm) 060011 	1pc	Hex L-wrench (4mm) 060032 	1pc		

NOTE: The Pattern Board and Crossbar should be assembled well before attached to the Calibration Frame. Please refer to "Assembly Instruction" of Pattern Board and that of Crossbar respectively.

Pattern Board 	1pc	Crossbar 	1pc
--	-----	---	-----

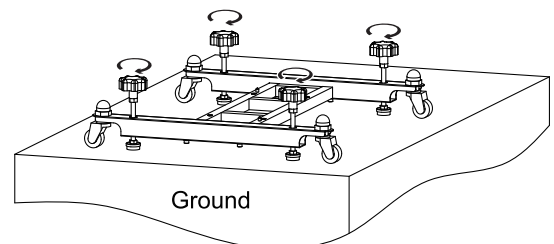
Assemble the base

1



- Step 1:** Place the two base holders on a flat with the knobs on the ground. Insert the base crossbar into the base holder slots.
- Step 2:** Position the flat washer (M8) to secure the base crossbar to the base holders, lock washer over each of the four screw holes, insert the bolt (M8x20) and tighten with the hex L-wrench (6mm).

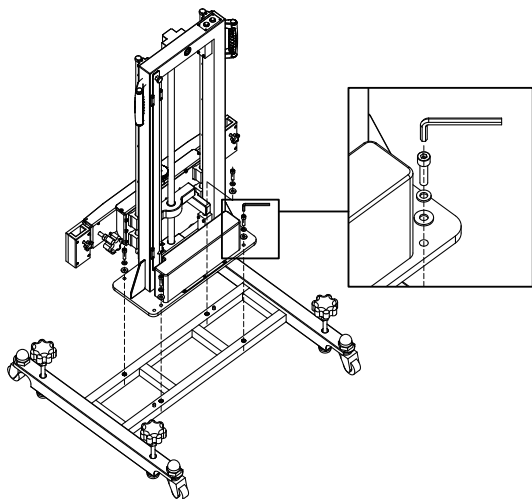
2



- Step 3:** Turn over the base so it is now resting on its wheels. Rotate each of the four hand knobs clockwise to secure the base to the ground.

Attach lifter to base

1

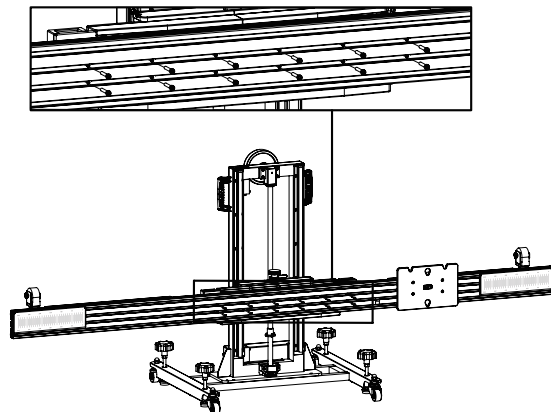


Step 1: Place the lifter on top of the base. Align each of the four screw holes on the lifter with those on the base.

Step 2: Position the flat washer (M8), lock washer over each of the screw holes, insert and tighten the bolt (M8x20) with the hex L-wrench (6mm). Ensure the base and the lifter are firmly attached.

Attach the crossbar

1

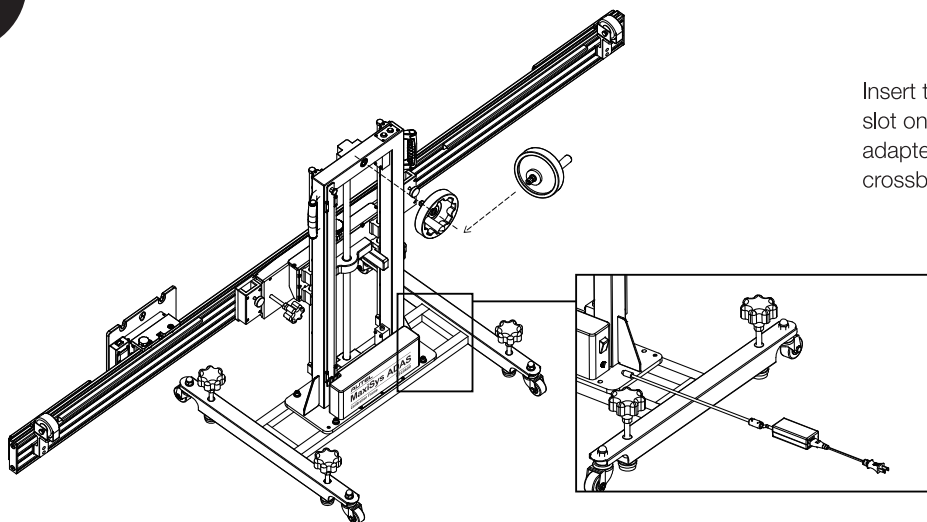


Step 1: Place the crossbar on the lifter with the pins on the lifter inserted into the holes to the left at the back of the crossbar.

Step 2: Insert bolts (M5x30) into the screw holes of the crossbar and tighten them with the hex L-wrench (4mm). Ensure the crossbar is securely attached to the lifter.

Install round handle/connect power adapter

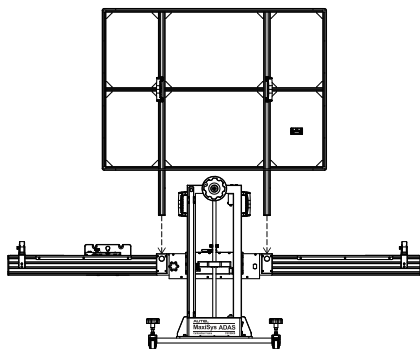
1



Insert the shaft on the round handle into the slot on back of the lifter, or connect the power adapter to the lifter to enable button to adjust crossbar in lieu of using the handle.

Attach the pattern board

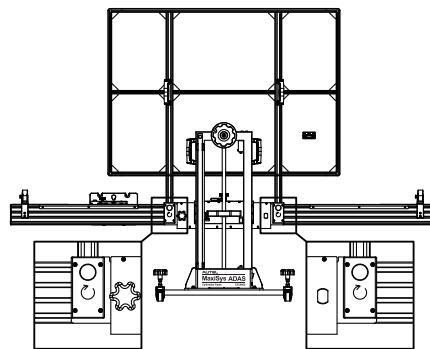
1



Step 1: Insert the two poles attached to the pattern board into the slots on each side of the lifter.

Note: Use button or handle to lower the crossbar before attaching the pattern board.

2



Step 2: Tighten the hand knobs adjacent to the slots and secure the pattern board to the lifter.

Note: The pattern board is required for many procedures, so please take care to attach it as instructed.